



SUV Series Lamp

UV LED Spot Light

Our LED spot-curing systems generate curing energy using high-intensity LEDs instead of conventional metal-halide or mercury-arc lamps. The relatively narrow frequency band of energy emitted by LEDs result in cooler substrate temperatures compares to traditional conventional arc lamp systems, making them ideal for curing thermally sensitive materials. GLUDITEC LED-curing system offer many energy and cost-saving benefits, such as no warm-up period, low energy consumption, no bulbs to change, and more consistent frequency output for better process control.

FEATURES

- > High electrical efficiency and instant on/off capability for lower operational costs
- > Long service life that eliminates bulb replacement and reduces maintenance costs
- > Narrow wavelength spectral emissions that minimize substrate thermal rise
- > Compact unit footprint that reduces workspace requirements and cost of the system
- > Consistent frequency and intensity output for better process control
- > "Green" attributes that eliminate mercury and ozone safety risks and disposal handling costs

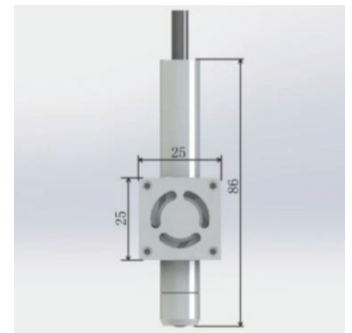
Different designs for various applications



L56



L86



L86F

SPECIFICATIONS

LED Lens with the wavelength of 365nm

PN	Spot size (mm)	Working Distance (mm)	UV Intensity (Max.) (mW/cm ²)	PN	Spot size (mm)	Working Distance (mm)	UV Intensity (Max.) (mW/cm ²)
GUL02	2	3	8200 (30%)	GUL12	12	25	1040
GUL03	3	5	4300 (50%)	GUL15	15	38	650
GUL04	4	7	8500	GUL15S	3*15	11	1700
GUL05	5	11	7280	GUL20S	5*20	17	860



GLUDITEC

Glue & Dispensing Technology

PN	Spot size (mm)	Working Distance (mm)	UV Intensity (Max.) (mW/cm ²)	PN	Spot size (mm)	Working Distance (mm)	UV Intensity (Max.) (mW/cm ²)
GUL06	6	12	5980	CLO06SV	6	5	5000
GUL08	8	18	2340	GUL008SV	8	10	3000
GUL10	10	18	1820	LED Fiber	5/ 7/ 8/ 10	Customize	Customize

LED Lens with the wavelength of 35nm/ 395nm/ 405nm

PN	Spot size (mm)	Working Distance (mm)	UV Intensity (Max.) (mW/cm ²)	PN	Spot size (mm)	Working Distance (mm)	UV Intensity (Max.) (mW/cm ²)
GUL03R	3	5	11000	GUL10R	10	25	2100
GUL04R	4	7	10000	GUL12R	12	22	1600
GUL05R	5	10	6300	GUL15R	15	39	110
GUL06R	6	12	5300	GUL006SV	6	7	800
GUL08R	8	19	3300				