



TGVC Series Vapour Chamber

Vapour Chamber

Features

- Excellent XY conduction (heat spreading)
- Passive component with high stability (reliable)
- Very low thermal resistance
- 10 times more efficient than heat pipes

Applications

Best for high power applications

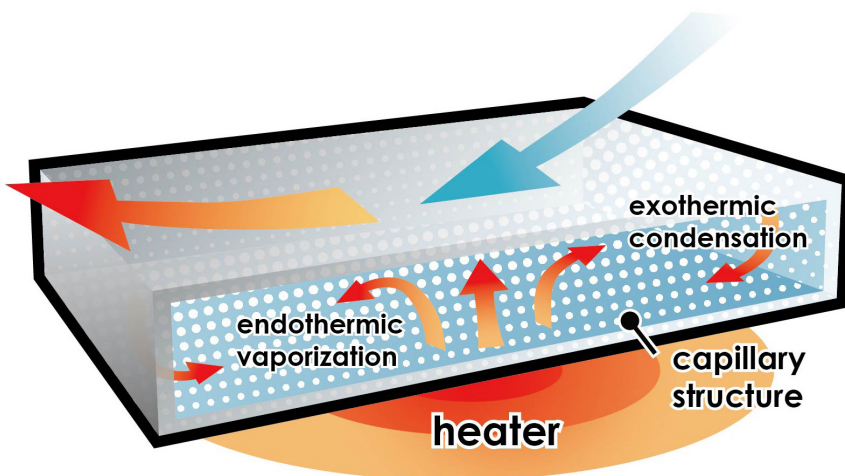
Consumer Electronics - Electric Vehicles, 5G, Autopilot System, Mobile Phone, AIOT, HPC (High Performance Computing), Server, IC, CPU, MOS, LED, Mother Board, Power Supply, Heat Sink, LCD-TV, Notebook, PC, Telecom Device, Wireless Hub, DDR II Module, etc.

Properties

Properties	TGVC-56-56-3.0-01	TGVC-106-70-3.0-01	Unit
Size	56x56	106x70	mm
Thickness	3.0	3.0	mm
Surface finishing	anti-oxidation		-

► Different industries will require different specifications, please contact us directly for the most suitable specifications.

Mechanism



T-Global Technology (Europe & North America) Limited

Units 1-2 Cosford Business Park, Central Park, Lutterworth, Leicestershire, LE17 4QU, United Kingdom
T +44 (0)1455 553 510 **E** sales@tglobaltechnology.com **W** www.tglobaltechnology.com

Version 1
20200915



T-Global Technology are proud to announce the launch of a new company logo and mission statement as part of the ongoing growth and evolution of our company's brand.

NOTICE: The information contained herein is to the best of our knowledge true and accurate. Values stated in this technical data sheet represent typical values as not all tests are run on each lot of material produced. All specifications are subject to change without notice. The protective film does not affect the function of the product. If there is no special requirement, the default depends on T-Global. Since the varied conditions of potential use are beyond our control, all recommendations or suggestions are presented without guarantee or responsibility on our part and users should make their own test to determine the suitability of our products in any specific situation. This product is sold without warranty either expressed or implied, of fitness for a particular purpose or otherwise, except that this product shall be of standard quality, and except to the extent otherwise stated in T-Global Technology's invoice, quotation, or order acknowledgment. We disclaim any and all liabilities incurred in connection with the use of information contained herein, or otherwise. All risks of such are assumed by the user. Furthermore, nothing contained herein shall be construed as a recommendation to use any process or to manufacture or to use any product in conflict with existing or future patents covering any product or material or its use.

TGVC-56-56-3.0-01 Vapour Chamber

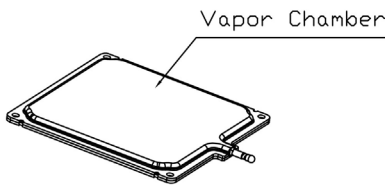
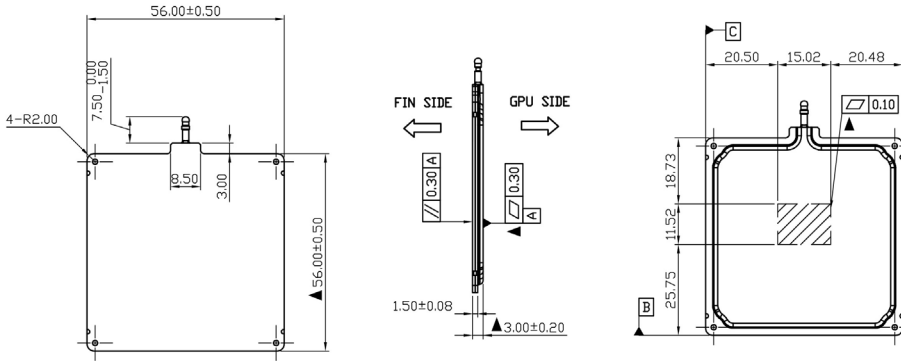
Product Description

Dimension (mm): L:56mm / W: 56mm / T: 3.0mm

Operation Power: $\geq 110W$

Product Details

Thermal Resistance: $\leq 0.210^{\circ}C/W$



TGVC-106-70-3.0-01 Vapour Chamber

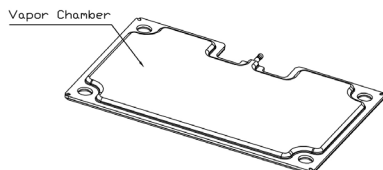
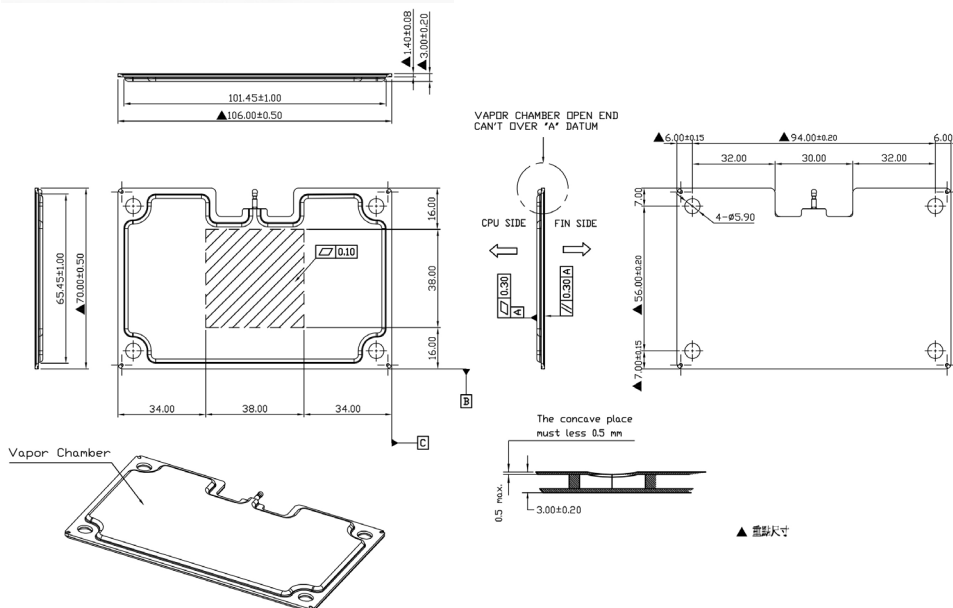
Product Description

Dimension (mm): L:106mm / W: 70mm / T: 3.0mm

Operation Power: $\geq 150W$

Product Details

Thermal Resistance: $\leq 0.160^{\circ}C/W$



T-Global Technology (Europe & North America) Limited

Units 1-2 Cosford Business Park, Central Park, Lutterworth, Leicestershire, LE17 4QU, United Kingdom

T +44 (0)1455 553 510 E sales@tglobaltechnology.com W www.tglobaltechnology.com

Version 1
20200915



T-Global Technology are proud to announce the launch of a new company logo and mission statement as part of the ongoing growth and evolution of our company's brand.

NOTICE: The information contained herein is to the best of our knowledge true and accurate. Values stated in this technical data sheet represent typical values as not all tests are run on each lot of material produced. All specifications are subject to change without notice. The protective film does not affect the function of the product. If there is no special requirement, the default depends on T-Global. Since the varied conditions of potential use are beyond our control, all recommendations or suggestions are presented without guarantee or responsibility on our part and users should make their own test to determine the suitability of our products in any specific situation. This product is sold without warranty either expressed or implied, of fitness for a particular purpose or otherwise, except that this product shall be of standard quality, and except to the extent otherwise stated in T-Global Technology's invoice, quotation, or order acknowledgment.

We disclaim any and all liabilities incurred in connection with the use of information contained herein, or otherwise. All risks of such are assumed by the user. Furthermore, nothing contained herein shall be construed as a recommendation to use any process or to manufacture or to use any product in conflict with existing or future patents covering any product or material or its use.