

# MIXPAC™ Machine Mixers

## Who we are

Headquartered in Switzerland, Sulzer Mixpac Ltd is a renowned producer of all-in-one application systems for the adhesives industry. As part of the Applicator Systems (APS) division of the Sulzer Group Winterthur (CH), we have a strong background and offer expertise in engineering and manufacturing of cartridges, mixers and dispensers for the adhesive and sealant industry.

Our approach: committed people, operational excellence and a consistent stimulating partnership with our customers is what has led us to guarantee first class quality throughout the value chain. These principles make it possible to provide cutting edge technologies and services to many industries worldwide; this is what we hold on to!

Our long standing innovative experience has paved the way for both us and our customers to bring value added solutions, propriety technologies, sustainable leadership and additional market opportunities. By applying lean principles throughout the process, we strive to exceed customer expectations resulting in smart applications, easy to use products with high performance, long shelf life and sustainability.

Specialized applications or customized mixer and accessory solutions may be available upon request. Please contact your sales representative.

### Headquarters / Europe

Sulzer Mixpac Ltd  
Ruetistrasse 7  
9469 Haag  
Switzerland  
phone +41 81 414 70 00  
fax +41 81 414 70 01  
mixpac@sulzer.com  
www.sulzer.com

### USA, South America, Canada and Mexico

Sulzer Mixpac USA Inc.  
8 Willow St.  
Salem, NH 03079  
USA  
phone +1 603 893 2727  
mixpac@sulzer.com  
www.sulzer.com

### UK and Ireland

Sulzer Mixpac (UK) Ltd.  
1 Tealgate, Charnham Park  
Hungerford, Berkshire, RG17 0YT  
United Kingdom  
phone: +44 1488 647 800  
coxsales@sulzer.com  
www.coxdispensers.com

### Asia Pacific

Sulzer Mixpac China  
68 Bei Dou Lu, Minhang  
Shanghai 200245  
China  
phone +86 21 6430 68 68  
mixpac@sulzer.com  
www.sulzer.com

Legal Notice: This brochure is a general presentation. The information contained in this publication is believed to be accurate and reliable but is not to be construed as implying any warranty or guarantee of performance. We waive any liability and indemnity for effects resulting from its application. Please, contact us for a description of the warranties and guarantees offered with our products. Directions for use and safety will be given separately. All information herein is subject to change without notice.  
© Sulzer 2020

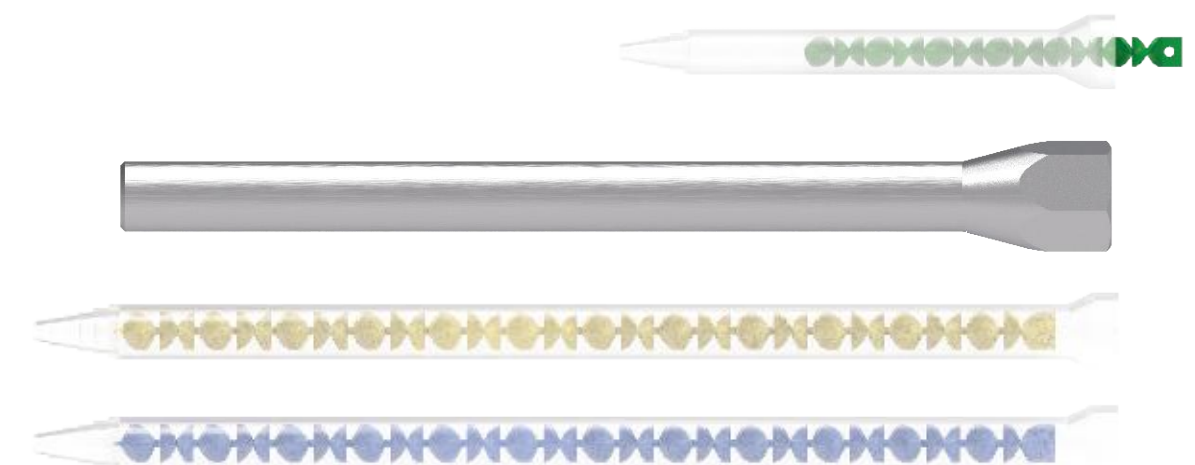


Innovation in Application



# MIXPAC™ Machine Mixers

## Efficient and Reliable



# MIXPAC™ ME/MS Series

## Static Mixers

MIXPAC™ ME/MS static mixers portfolio provides an efficient and reliable solutions for 2-component mixing when used with meter mix equipment:

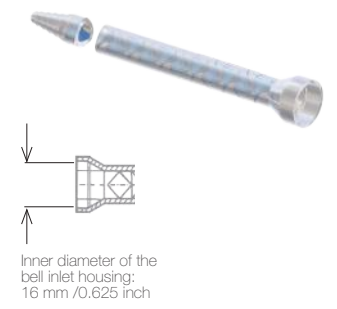
- Universal usage for high and low viscosity mixing
- Ideal for silicones, urethanes and epoxy adhesives
- Available in different inlet diameters to fit most meter mix and dispensing systems
- Disposable plastic mixers

For safety reasons, MIXPAC™ ME/MS static mixers must be used with shrouds.



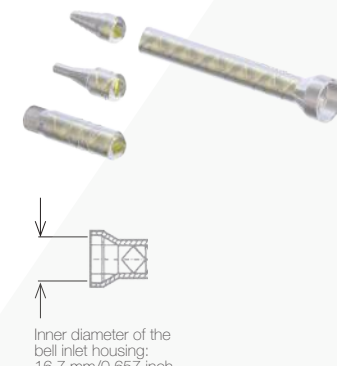
### MIXPAC™ ME Series

ID	Article	Number of Elements	Inner Diameter*		Outer Diameter*		Length		Tip Style**
			Ø mm	inch	Ø mm	inch	mm	inch	
102448	ME 05-24T	24	5.0	0.197	8.0	0.315	149.0	5.866	T
102449	ME 05-32T	32	5.0	0.197	8.0	0.315	188.0	7.402	T
102450	ME 06-24T	24	6.0	0.236	10.0	0.394	185.0	7.283	T
102451	ME 06-32T	32	6.0	0.236	10.0	0.394	234.0	9.213	T
102452	ME 06-48T	48	6.0	0.236	10.0	0.394	334.0	13.150	T
102453	ME 08-24T	24	8.0	0.313	12.0	0.472	223.0	8.780	T
102454	ME 08-32T	32	8.0	0.313	12.0	0.472	287.0	11.299	T
102456	ME 10-24T	24	10.0	0.394	14.0	0.551	276.0	10.866	T
102457	ME 10-32T	32	10.0	0.394	14.0	0.551	352.0	13.858	T
102455	ME 1012-0832T	44	10.0	0.394	14.0	0.551	409.0	16.102	D
102459	ME 13-24T	24	13.0	0.512	17.0	0.669	293.0	11.535	T
102461	ME 13-32T	32	13.0	0.512	17.0	0.669	379.0	14.921	T
102458	ME 1312-1032T	44	13.0	0.512	17.0	0.669	499.0	19.646	T



### MIXPAC™ MS Series

ID	Article	Number of Elements	Inner Diameter*		Outer Diameter*		Length		Tip Style**
			Ø mm	inch	Ø mm	inch	mm	inch	
102503	MS 05-24T	24	5.0	0.197	8.0	0.315	148.0	5.827	T
102504	MS 05-32T	32	5.0	0.197	8.0	0.315	188.0	7.402	T
102505	MS 06-24T	24	6.0	0.236	10.0	0.394	185.0	7.283	T
102506	MS 06-32T	32	6.0	0.236	10.0	0.394	234.0	9.213	T
102507	MS 06-48T	48	6.0	0.236	10.0	0.394	334.0	13.150	T
102508	MS 06-56D	56	6.0	0.236	10.0	0.394	378.0	14.882	D
102509	MS 06-56L	56	6.0	0.236	10.0	0.394	392.0	15.433	L
102510	MS 08-24T	24	8.0	0.313	12.0	0.472	223.0	8.780	T
102511	MS 08-32T	32	8.0	0.313	12.0	0.472	287.0	11.299	T
102513	MS 10-18T	18	10.0	0.394	14.0	0.551	214.0	8.425	T
102514	MS 10-24T	24	10.0	0.394	14.0	0.551	276.0	10.866	T
102515	MS 10-32T	32	10.0	0.394	14.0	0.551	352.0	13.858	T
102512	MS 1012-0832T	44	10.0	0.394	14.0	0.551	409.0	16.102	T
113743	MS 13-12G	12	13.0	0.512	17.0	0.669	159.0	6.256	G
102517	MS 13-18G	18	13.0	0.512	17.0	0.669	223.0	8.780	G
102518	MS 13-24T	24	13.0	0.512	17.0	0.669	293.0	11.535	T
102522	MS 13-32G-01	32	13.0	0.512	17.0	0.669	373.0	14.685	G
102520	MS 13-32T	32	13.0	0.512	17.0	0.669	379.0	14.921	T
102516	MS 1312-1032D	44	13.0	0.512	17.0	0.669	494.0	19.449	D



\* Dimensions are nominal values  
\*\* T = Stepped, D = Straight, L = Slip Luer, G = Threaded

# MIXPAC™ MSR Series

## Rotary Mixers

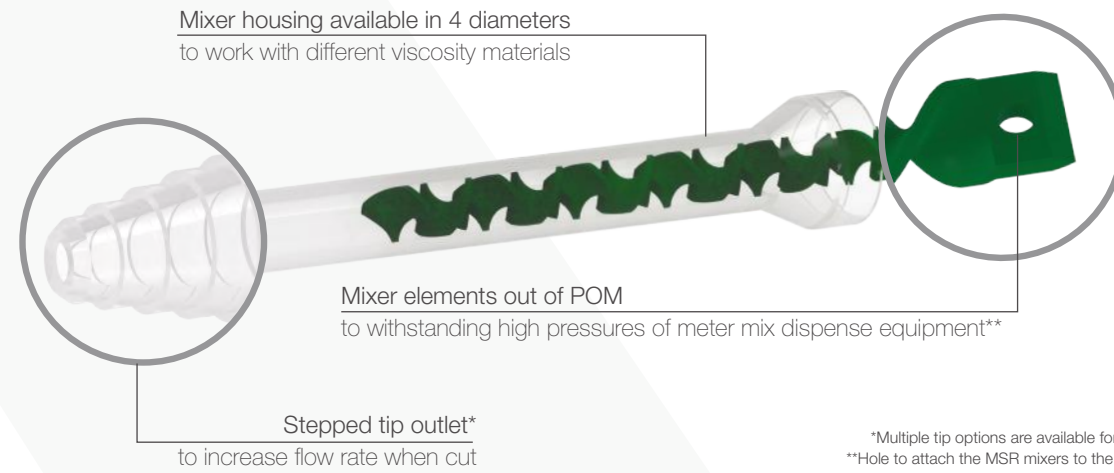
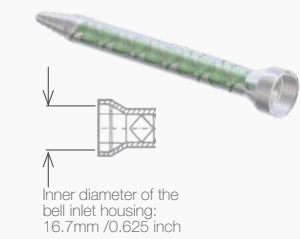
MIXPAC™ MSR rotary mixers are specifically designed for use with dynamic meter mix and dispense equipment. Very effective for hard to mix low viscosity silicones, urethanes and epoxies:

- Highly effective for mixing of components with high viscosity difference
- Disposable mixers eliminate costly cleaning procedures and decrease equipment down time
- Intensified rotation mixing process allows for superior mixing quality with a reduced number of mixing elements
- Mixer length up to 70% shorter versus static mixers also results in significant material waste reduction and an increase in process efficiency.



### MIXPAC™ MSR Series

ID	Article	Number of Elements	Inner Diameter		Outer Diameter		Length		Tip Style
			Ø mm	inch	Ø mm	inch	mm	inch	
102499	MSR 06-12T	12	6.0	0.236	10.0	0.394	111.0	4.370	T
102500	MSR 08-12T	12	8.0	0.315	12.0	0.472	130.0	5.118	T
102501	MSR 10-12T	12	10.0	0.394	14.0	0.551	155.0	6.102	T
102502	MSR 13-12T	12	13.0	0.512	17.0	0.669	197.0	7.756	T



\*Multiple tip options are available for MS Series Industrial range  
\*\*Hole to attach the MSR mixers to the dynamic mixing equipment

## Accessories

Luer lock adapters, made from PBT, can be installed onto the stepped tips of the mixers enabling the usage of needle tips or other accessories for your applications.



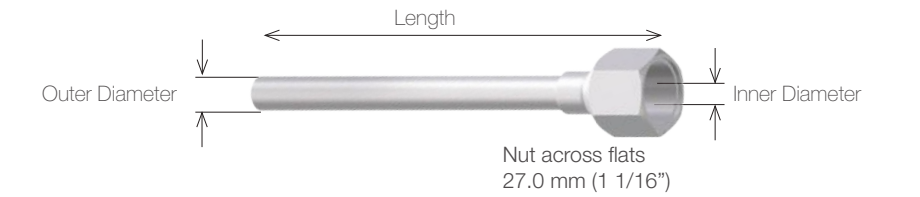
ID	Article	Luer Lock Color	Units/Box	Fits Mixers
102356	LA 05-00	○	2000	M... 05-..T
102357	LA 06-00	●	2000	M... 06-..T / M... 08-..T
102358	LA 10-00	●	2000	M... 10-..T

# MIXPAC™ Shrouds

## For ME and MS Series Machine Mixers

High pressures associated with dispensing equipment require the use of shrouds:

- Prevent the mixer housing from expanding
- Ensure an optimal mix quality and safe operation
- Made from anodized aluminum and reusable
- Ensures precise tip alignment to the point of application.



Series	ID	Article	Inner Diameter		Outer Diameter		Length		Fits Mixer Size
			mm	inch	mm	inch	mm	inch	
<b>7/8" 9 UNC Thread</b>									
	114351	SH 05-24-09	8.2	0.323	11.5	0.453	146.0	5.748	05-24
	114356	SH 05-32-09	8.2	0.323	11.5	0.453	185.0	7.283	05-32
	114352	SH 06-24-09	10.2	0.402	14.0	0.551	179.5	7.067	06-24
	114357	SH 06-32-09	10.2	0.402	14.0	0.551	228.5	8.996	06-32
	114349	SH 06-48-09	10.7	0.421	15.0	0.591	329.0	12.953	06-48
	114365	SH 06-56-09	10.7	0.421	15.0	0.591	383.7	15.106	06-56
	114353	SH 08-24-09	12.2	0.480	16.0	0.630	215.0	8.465	08-24
	114358	SH 08-32-09	12.2	0.480	16.0	0.630	279.0	10.984	08-32
	114354	SH 10-24-09	14.2	0.559	19.0	0.748	265.5	10.453	10-24
	114359	SH 10-32-09	14.2	0.559	19.0	0.748	341.5	13.445	10-32
	114362	SH 10-44-09	14.2	0.559	19.0	0.748	401.0	15.787	1012-0832
	114361	SH 13-18-09	17.2	0.677	23.0	0.906	205.7	8.098	13-18
	114366	SH 13-24-09	17.2	0.677	23.0	0.906	280.3	11.035	13-24
	114355	SH 13-24-09-L	17.2	0.677	23.0	0.906	337.5	13.287	13-24T-02
	114368	SH 13-32-09	17.2	0.677	23.0	0.906	365.3	14.382	13-32
	114360	SH 13-32-09-L	17.2	0.677	23.0	0.906	438.5	17.264	13-32T-02
	114364	SH 13-44-09	17.2	0.677	23.0	0.906	503.0	19.803	1312-1032
<b>7/8" 14 UNF Thread</b>									
	114335	SH 05-24-14	8.2	0.323	11.5	0.453	146.0	5.748	05-24
	114340	SH 05-32-14	8.2	0.323	11.5	0.453	185.0	7.283	05-32
	114336	SH 06-24-14	10.2	0.402	14.0	0.551	179.5	7.067	06-24
	114341	SH 06-32-14	10.2	0.402	14.0	0.551	228.5	8.996	06-32
	114348	SH 06-48-14	10.7	0.421	15.0	0.591	329.0	12.953	06-48
	114347	SH 06-56-14	10.7	0.421	15.0	0.591	383.7	15.106	06-56
	114337	SH 08-24-14	12.2	0.480	16.0	0.630	215.0	8.465	08-24
	114342	SH 08-32-14	12.2	0.480	16.0	0.630	279.0	10.984	08-32
	114338	SH 10-24-14	14.2	0.559	19.0	0.748	265.5	10.453	10-24
	114343	SH 10-32-14	14.2	0.559	19.0	0.748	341.5	13.445	10-32
	114345	SH 10-44-14	14.2	0.559	19.0	0.748	401.0	15.787	1012-0832
	114363	SH 13-18-14	17.2	0.677	23.0	0.906	205.7	8.098	13-18
	114367	SH 13-24-14	17.2	0.677	23.0	0.906	280.3	11.035	13-24
	114339	SH 13-24-14-L	17.2	0.677	23.0	0.906	337.5	13.287	13-24T-02
	114369	SH 13-32-14	17.2	0.677	23.0	0.906	365.3	14.382	13-32
	114344	SH 13-32-14-L	17.2	0.677	23.0	0.906	438.5	17.264	13-32T-02
	114346	SH 13-44-14	17.2	0.677	23.0	0.906	503.0	19.803	1312-1032